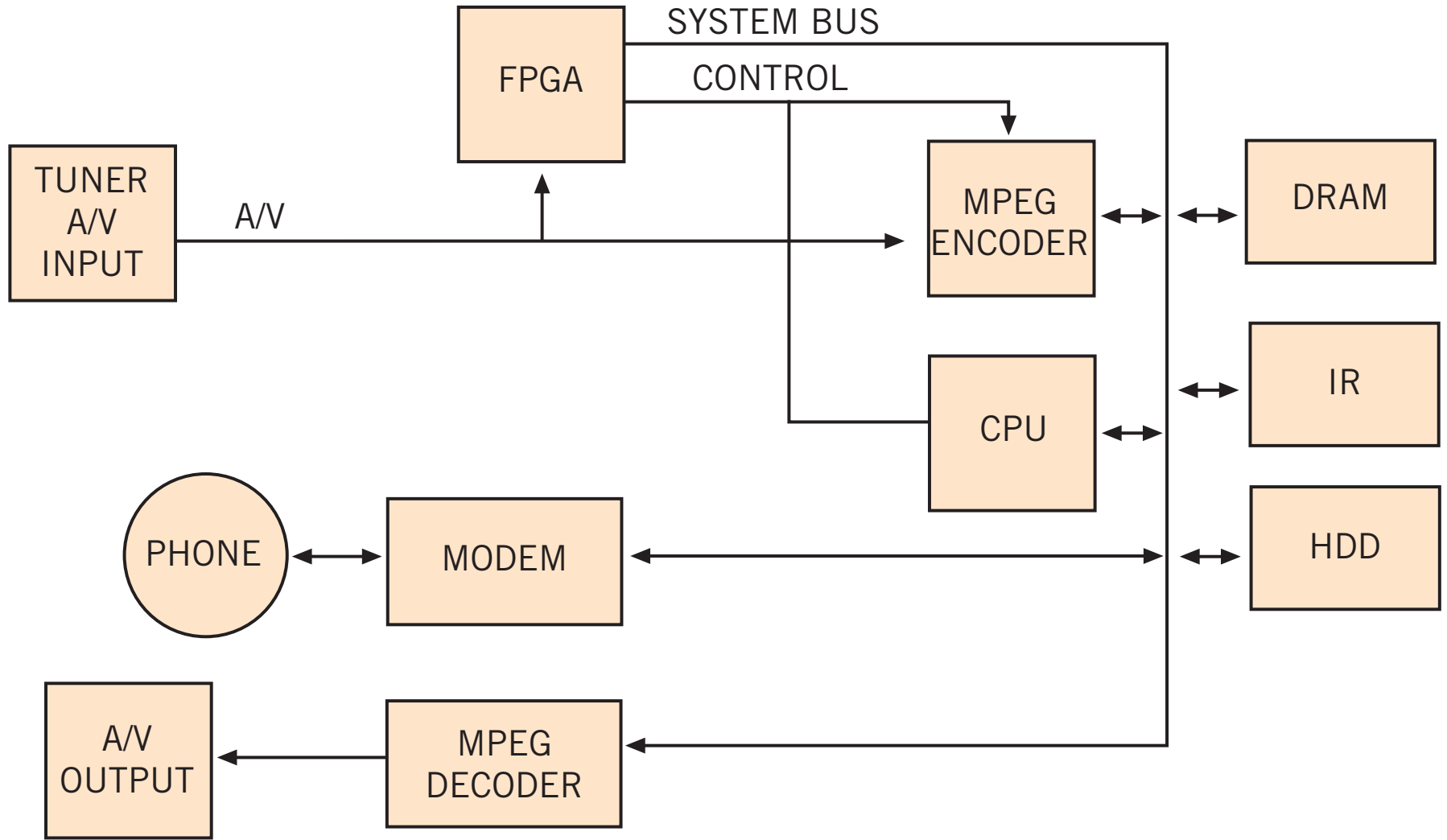


Figure 2



In the ReplayTV design, data is digitised after the tuner; the FPGA monitors the data stream and controls MPEG-decoder and CPU activity.